

# Mobile Computer Workstations

## Hummingbird Lite Laptop



### Technical Specifications

#### Workflow

- Modular and flexible to accommodate changing workflows
- Integrated Mouse tray and Worksurface
- Ergonomic design for reduced clinician fatigue

#### Maintenance

- Designed to meet infection control and prevention standards using non-porous, easy to clean materials (aluminum, steel, ABS plastic, nylon and thermofoil work surface)
- Use Caviwipes or other disinfectant wipes (no abrasives, solvents, or trichloroethylene)

#### Ergonomics

- Worksurface height adjustment (**Figure 1**)
- Slide-out Mouse tray with Left/Right mouse, (**Figure 4**)
- Facilitates easy travel with ergonomic handles, low center of gravity, and 4x 5" (12.7 cm) casters (2x Free-moving, 2x Locking)
- Optional directional caster to enhance steering ability

#### Worksurface

- Large size, hard Worksurface, suitable for charting and medication preparation
- Sit-to-stand height adjustment range 14.75" (37.47 cm) (**Figure 1**)

#### Movement Ranges

- Worksurface:
  - Height range: 14.75" (37.47 cm) (**Figure 1**)
  - Height min: 32.8" (83.19 cm)
  - Height max: 47.5" (120.65 cm)
- Mouse Tray:
  - In and Out 7.3" (18.54 cm) (**Figure 4**)

#### Loads

- Total lift column load range (technology and accessories): 3 lbs (1.36 kg) to 15 lbs (6.8 kg)

#### Key Dimensions

- Maximum screen size 17" (43.18 cm)
- Laptop size range (optional Integrated Security Bracket): 13" (33.02 cm) - 17" (43.18 cm) (**Figure 5**)
- Worksurface: 20.0" (50.8 cm) W x 20.0" (50.8 cm) (**Figure 2**)
- Footprint: 16.1" (40.9 cm) W x 17.9" (45.46 cm) L (**Figure 3**)
- Ground clearance: 6" (15.24 cm)
- Wheels: 4x 5" (12.7 cm) casters

#### Storage Capacity

- Vertical Rail Column: \*15" (38.1 cm) H rail on right and left side
- Ergonomic Accessory Rail: 18" (45.7 cm) width

\*Consult with sales rep for load limits based on accessory and storage mounting requirements

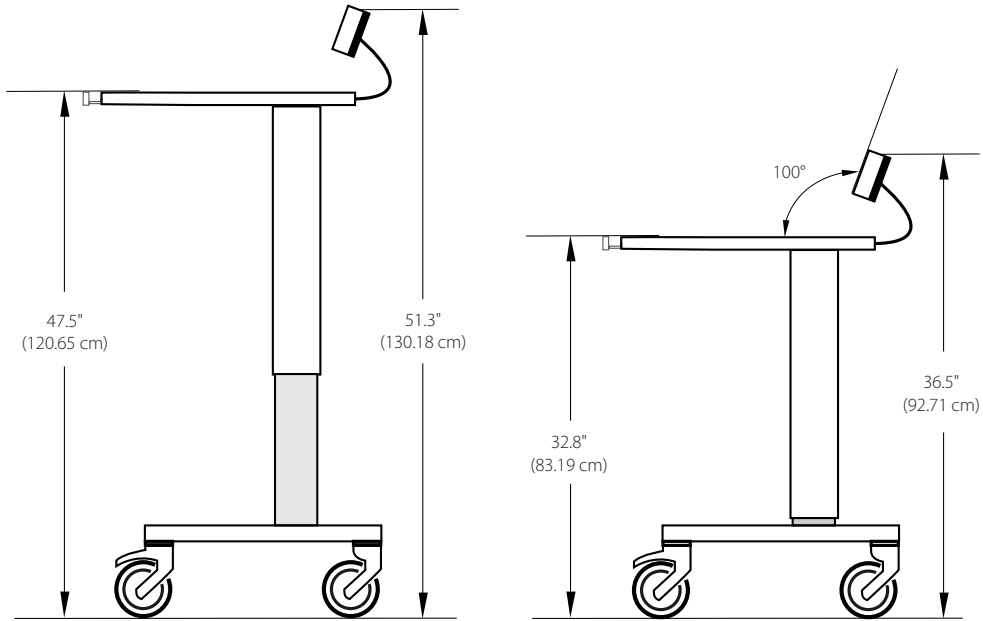
#### Shipping Dimensions and Weights

- Shipped dimensions: 27.25" (69.22 cm) x 21" (53.34 cm) x 10.56" (26.83cm)
- Shipped weight: 69.5 lbs (31.52 kg) (72 lbs (32.66 kg) with optional Integrated Security Bracket)
- Actual weight: 63.5 lbs (28.80 kg) (65 lbs (29.48 kg) with optional Integrated Security Bracket)

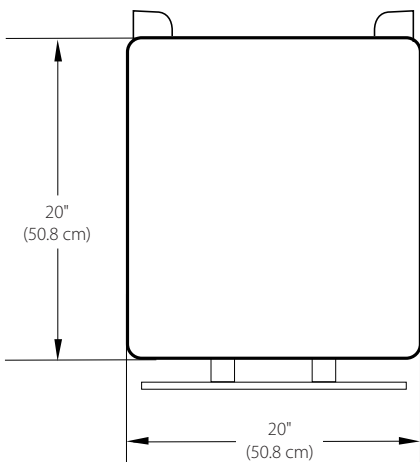
#### Warranty

- 3-Year Warranty

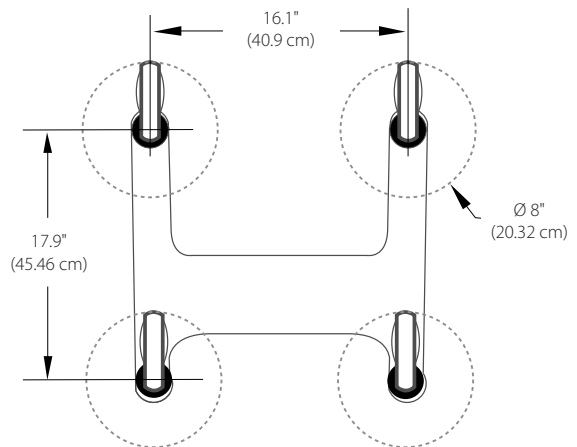
# Dimensions and Movement Range



**Figure 1**  
Minimum and Maximum positions for Worksurface  
(Shown with optional Integrated Security Bracket)

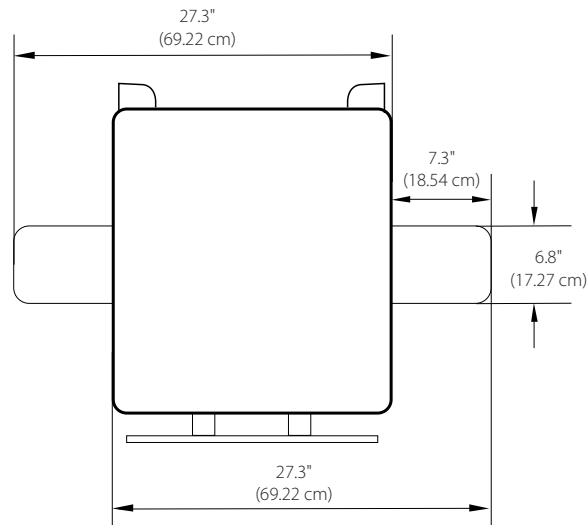


**Figure 2**  
Worksurface - Worksurface Area

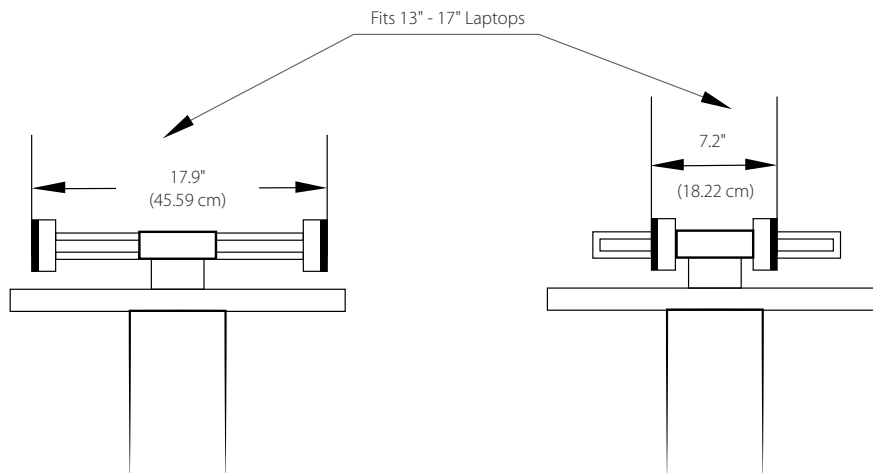


**Figure 3**  
Wheelbase

# Dimensions and Movement Range



**Figure 4**  
Mouse Tray (Left/Right)



**Figure 2**  
Minimum and Maximum positions  
(With optional Integrated Security Bracket)



Please visit [www.amico.com](http://www.amico.com) for all technical specifications, installation instructions, and to learn more about other great Amico products and equipment. Detailed CAD drawings available upon request.